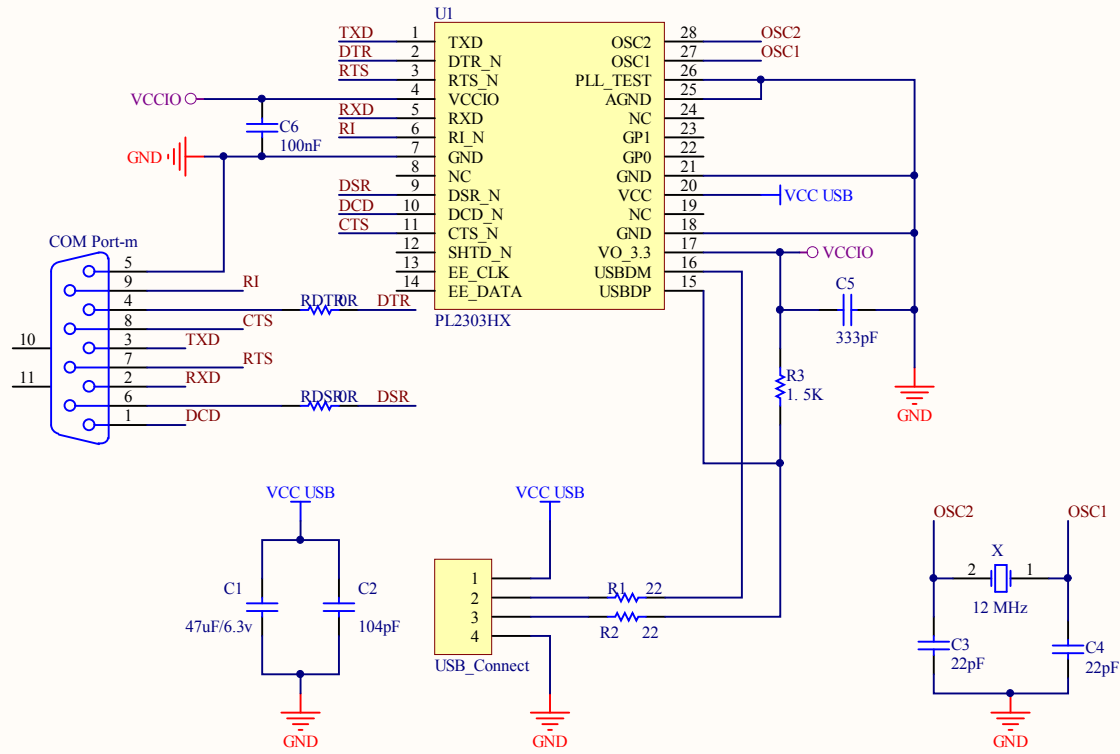


www.kavirElectronic.ir
www.iranmicro.ir



Title		
Size	Number	Revision
A4		
Date:	19/07/2011	Sheet of
File:	L:\ATURAN\PL2303HX 90-1-23.SchDdcDrawn By:	

Comment	Description	Designator	Footprint	LibRef	Quantity
Cap	Capacitor	C1	CAP_Bipolar_3	Cap	1
Cap	Capacitor	C2, C3, C4, C5, C6	0805c	Cap	5
D Connector 9	Receptacle Assembly 9 Position, Right Angle	COM Port-m	DB9	D Connector 9	1
USB_Connect	Header, 4-Pin	JP1	HDR1X4	Header 4	1
Res Semi	Semiconductor Resistor	R1, R2, R3, RDSR, RDTR	0805	Res Semi	5
PL2303HX	USB to RS232	U1	SSOP28	PL2303HX	1
12 MHz	Crystal Oscillator	X	Xtal	XTAL	1