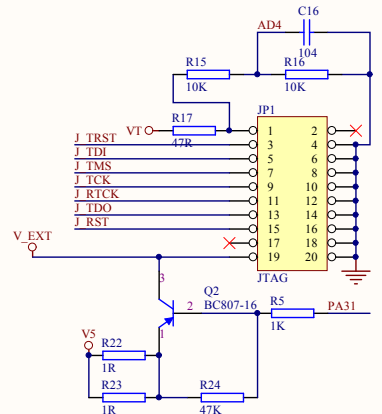
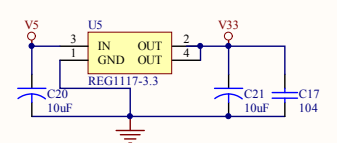
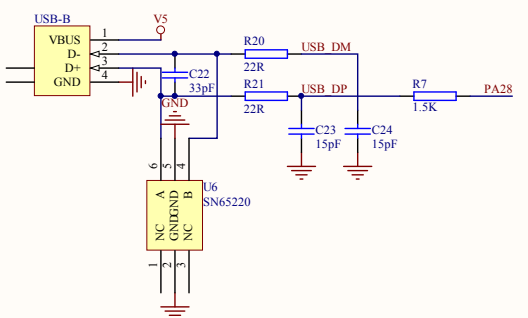
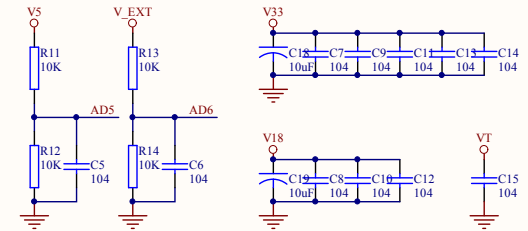
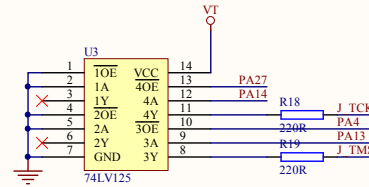
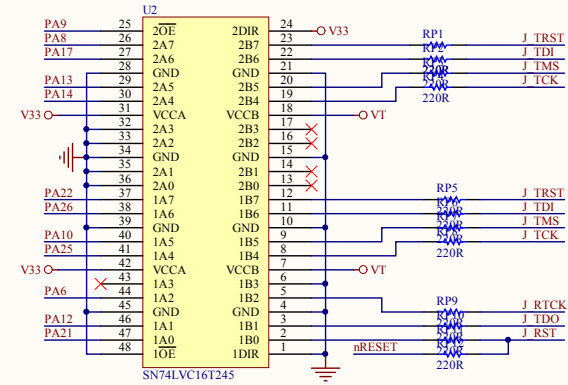
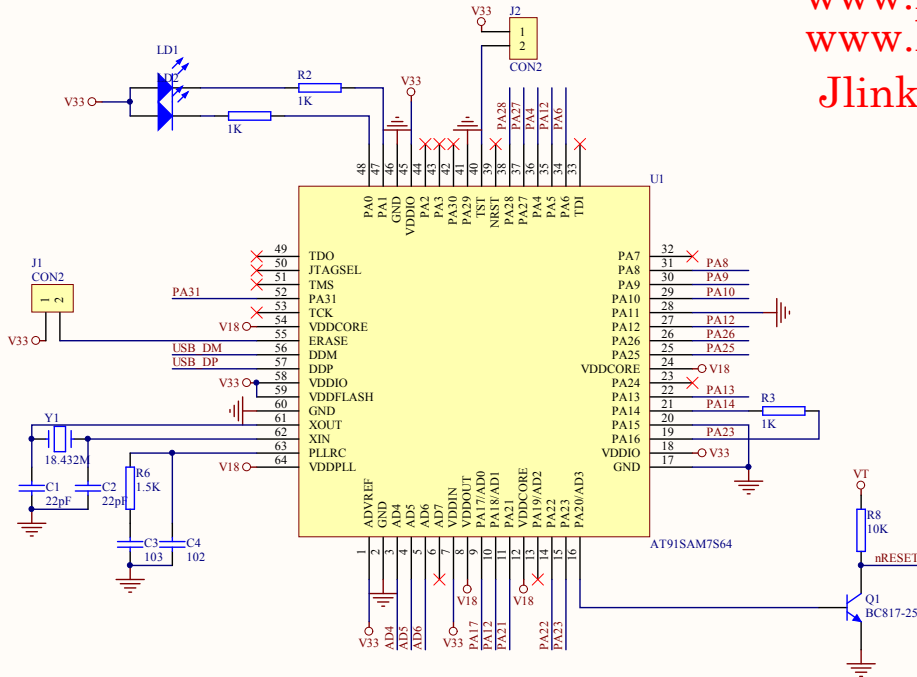


www.iranmicro.ir  
www.kavirElectronic.ir  
JlinkV8.0



Title		
Size	Number	Revision
A3		
Date:	20/07/2011	Sheet of
File:	L:ATURANU_JLINKV8.SchDoc	Drawn By: